



THIS SPECIFICATION IS THE PROPERTY OF BOE DT AND SHALL NOT BE REPRODUCED OR COPIED WITHOUT THE WRITTEN PERMISSION OF BOE DT AND MUST BE RETURNED TO BOE DT UPON ITS REQUEST

**TITLE : HR236WU3-301**  
**Preliminary Product Specification**  
**Rev.P0**

BEIJING BOE Display TECHNOLOGY

SPEC. NUMBER  
S8-65-8A-087

PRODUCT GROUP  
TFT-LCD

Rev.P0

ISSUE DATE  
2014.03.12

PAGE  
1 OF 30



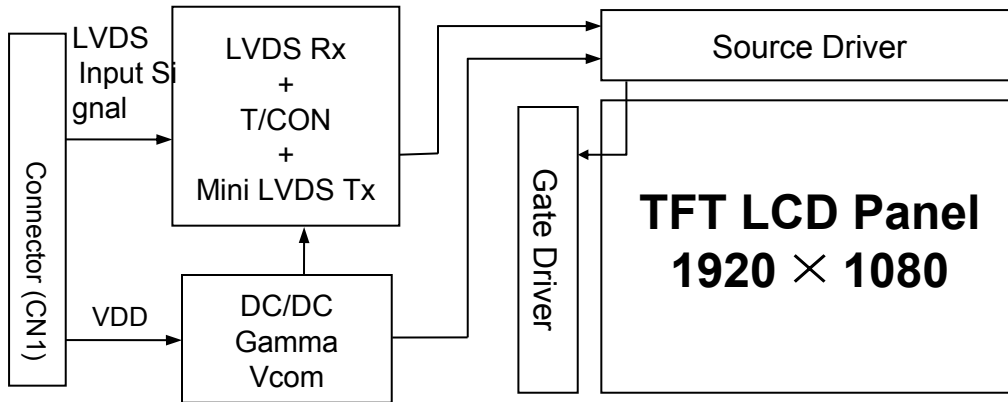
## Contents

No.	Item	Page
1.0	General Description	4
2.0	Absolute Maximum Ratings	6
3.0	Electrical Specifications	7
4.0	Optical Specifications	8
5.0	Interface Connection	10
6.0	Signal Timing Specifications	13
7.0	Signal Timing Waveforms of Interface Signal	15
8.0	Input Signals, Display Colors & Gray Scale of Colors	17
9.0	Power Sequence	18
10.0	Mechanical Characteristics	19
11.0	Reliability Test	20
12.0	Handling& Cautions	21
13.0	Product Serial Number	22
14.0	Packing	23
15.0	Appendix	25

## 1.0 GENERAL DESCRIPTION

### 1.1 Introduction

HR236WU3-301 is a color active matrix TFT LCD open cell using amorphous silicon TFT's (Thin Film Transistors) as an active switching devices. This open cell has a 23.6 inch diagonally measured active area with FHD resolutions (1920 horizontal by 1080 vertical pixel array). Each pixel is divided into RED, GREEN, BLUE dots which are arranged in vertical stripe and this module can display 16.7M colors. The TFT-LCD panel used for this module is adapted for a low reflection and higher color type.



### 1.2 Features

- LVDS Interface with 2 pixel / clock
- High-speed response
- 6-bit (Hi-FRC) color depth, display 16.7M colors
- High luminance and contrast ratio, low reflection and wide viewing angle
- DE (Data Enable) only
- RoHS/Halogen Free
- Gamma Correction



PRODUCT GROUP	REV	ISSUE DATE
TFT- LCD PRODUCT	Rev.P0	Mar.12. 14'

### 1.3 Application

- Desktop Type of PC & Workstation Use
- Display Terminals for Control System
- Monitors for Process Controller

### 1.4 General Specification

The followings are general specifications at the model HR236WU3-301.

<Table 1. General Specifications>

Parameter	Specification	Unit	Remarks
Active area	521.28(H) × 293.22(V)	Mm	
Number of pixels	1920(H) × 1080(V)	pixels	
Pixel pitch	0.2715(H) × 0.2715(V)	mm	
Pixel arrangement	RGB Vertical stripe		
Display colors	16.7M	colors	
Display mode	Normally Black		
Dimensional outline	535.9H) × 307 (V) × 1.43(D) typ	mm	
Open Cell Transmittance	4.35% (typ.)	%	At center point with BOE BLU
Weight	510(Typ.)	g	
Surface Treatment	Haze 25%, 3H		
Power Consumption	P <sub>D</sub> : 5.5W (max)		

## 2.0 ABSOLUTE MAXIMUM RATINGS

The followings are maximum values which, if exceed, may cause faulty operation or damage to the unit. The operational and non-operational maximum voltage and current values are listed in Table 2.

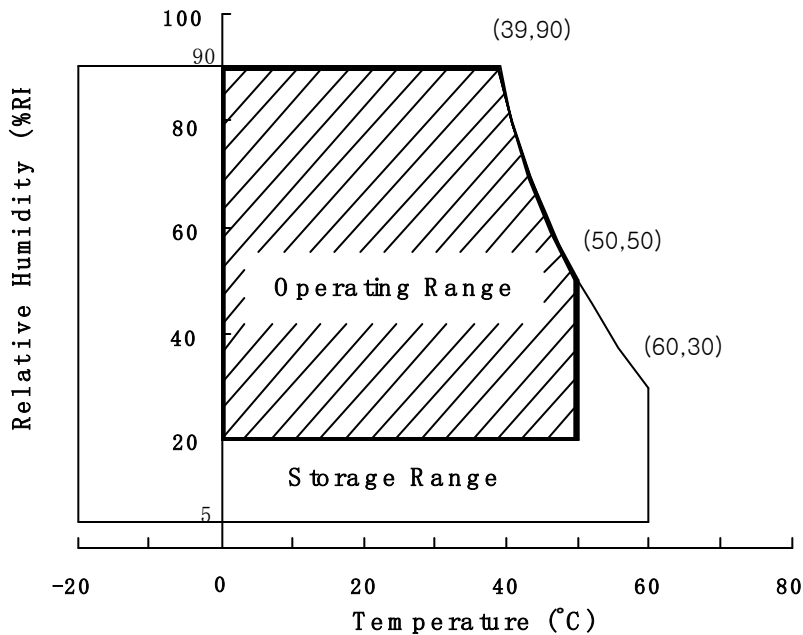
< Table 2. Absolute Maximum Ratings >

[VSS=GND=0V]

Parameter	Symbol	Min.	Max.	Unit	Remarks
Power Supply Voltage	$V_{DD}$	-0.3	6.0	V	Ta = 25 °C
Logic Supply Voltage	$V_{IN}$	VSS-0.3	$V_{DD}+0.3$	V	
Operating Temperature	$T_{OP}$	0	+50	°C	1)
Storage Temperature	$T_{ST}$	-20	+60	°C	1)

Note : 1) Temperature and relative humidity range are shown in the figure below.

Wet bulb temperature should be 39 °C max. and no condensation of water.



### 3.0 ELECTRICAL SPECIFICATIONS

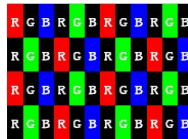
#### 3.1 Electrical Specifications

< Table 3. Electrical specifications >

[Ta =25±2 °C]

Parameter		Min.	Typ.	Max.	Unit	Remarks
Power Supply Voltage	V <sub>DD</sub>	4.5	5.0	5.5	V	Note1
Power Supply Current	I <sub>DD</sub>	-	900	1100	mA	
In-Rush Current	I <sub>RUSH</sub>	-	2.0	3.0	A	Note 2
Permissible Input Ripple Voltage	V <sub>RF</sub>	-	-	100	mV	V <sub>DD</sub> = 5.0V
High Level Differential Input Threshold Voltage	V <sub>IH</sub>	-	-	+300	mV	
Low Level Differential Input Threshold Voltage	V <sub>IL</sub>	-300	-	-	mV	
Differential input voltage	V <sub>ID</sub>	200	-	600	mV	
Differential input common mode voltage	V <sub>cm</sub>	1.0	1.2	1.5		V <sub>IH</sub> =100mV, V <sub>IL</sub> =-100mV
Power Consumption	P <sub>D</sub>	-	4.5	5.5	W	

- Notes : 1. The supply voltage is measured and specified at the interface connector of LCM.  
 The current draw and power consumption specified is for VDD=5.0V, Frame rate=75Hz  
 Clock frequency = 92.9 MHz. Test Pattern of power supply current  
 a) Typ : Color Test  
 b) Max : Skip Subpixel255



2. Duration of rush current is about 2 ms and rising time of VDD is 520 μs ± 20 %

## 4.0 OPTICAL SPECIFICATION

### 4.1 Overview

The test of Optical specifications shall be measured in a dark room (ambient luminance  $\leq 1$  lux and temperature =  $25\pm 2^\circ\text{C}$ ) with the equipment of Luminance meter system (Goniometer system and TOPCONE BM-5) and test unit shall be located at an approximate distance 50cm from the LCD surface at a viewing angle of  $\theta$  and  $\Phi$  equal to  $0^\circ$ . We refer to  $\theta_{\rightarrow 0}$  ( $=\theta_3$ ) as the 3 o'clock direction (the "right"),  $\theta_{\rightarrow 90}$  ( $=\theta_{12}$ ) as the 12 o'clock direction ("upward"),  $\theta_{\rightarrow 180}$  ( $=\theta_9$ ) as the 9 o'clock direction ("left") and  $\theta_{\rightarrow 270}$  ( $=\theta_6$ ) as the 6 o'clock direction ("bottom"). While scanning  $\theta$  and/or  $\rightarrow$ , the center of the measuring spot on the Display surface shall stay fixed. The measurement shall be executed after 30 minutes warm-up period. VDD shall be 5.0V +/-10% at  $25^\circ\text{C}$ . Optimum viewing angle direction is 6 o'clock.

### 4.2 Optical Specifications

[VDD = 5.0V, Frame rate = 60Hz, Clock = 74.25MHz,  $I_{BL} = 480\text{mA}$ ,  $T_a = 25\pm 2^\circ\text{C}$ ]

Parameter		Symbol	Condition	Min.	Typ.	Max.	Unit	Remark
Viewing Angle range	Horizontal	$\Theta_3$	CR > 10	75	89	-	Deg.	Note 1
		$\Theta_9$		75	89	-	Deg.	
	Vertical	$\Theta_{12}$		70	89	-	Deg.	
		$\Theta_6$		70	89	-	Deg.	
Luminance Contrast ratio		CR		700	1000			Note 2
Transmittance		Tr			4.35%			Note 3
White luminance uniformity		$\Delta Y$		75	80		%	Note 4
Reproduction of color	White	$W_x$	$\Theta = 0^\circ$ (Center) Normal Viewing Angle	0.283	0.313	0.343	-	Note 5 With BOE BLU
		$W_y$		0.299	0.329	0.359	-	
	Red	$R_x$		<b>0.615</b>	<b>0.645</b>	<b>0.675</b>	-	
		$R_y$		<b>0.310</b>	<b>0.340</b>	<b>0.370</b>	-	
	Green	$G_x$		<b>0.262</b>	<b>0.292</b>	<b>0.322</b>	-	
		$G_y$		<b>0.604</b>	<b>0.634</b>	<b>0.664</b>	-	
	Blue	$B_x$		<b>0.118</b>	<b>0.148</b>	<b>0.178</b>	-	
		$B_y$		<b>0.030</b>	<b>0.060</b>	<b>0.090</b>	-	
Response Time	GTG	$T_g$		14	20	ms	Note 6	
Cross Talk		CT		-	-	2.0	%	Note 7





PRODUCT GROUP	REV.	ISSUE DATE
TFT- LCD PRODUCT	Rev.P0	Mar.12. 14'

**Note :**

- Viewing angle is the angle at which the contrast ratio is greater than 10. The viewing are determined for the horizontal or 3, 9 o'clock direction and the vertical or 6, 12 o'clock direction with respect to the optical axis which is normal to the LCD surface.
- Contrast measurements shall be made at viewing angle of  $\theta=0^\circ$  and at the center of the LCD surface. Luminance shall be measured with all pixels in the view field set first to white, then to the dark (black) state. (See FIGURE 1 shown in Appendix) Luminance Contrast Ratio (CR) is defined mathematically.

$$CR = \frac{\text{Luminance when displaying a white raster}}{\text{Luminance when displaying a black raster}}$$

- Measurements shall be made at the center of the panel. The BLU is used by BOE.  
Definition of Transmittance (T%) :

Module is with white(L255) signal input

$$\text{Transmittance} = \frac{\text{Luminance of LCD Module}}{\text{Luminance of BLU}} \times 100 \%$$

- The White luminance uniformity on LCD surface is then expressed as :  
 $\Delta Y = (\text{Minimum Luminance of 9points} / \text{Maximum Luminance of 9points}) * 100$   
(See FIGURE 2 shown in Appendix).
- The color chromaticity coordinates specified in Table 4. shall be calculated from the spectral data measured with all pixels first in red, green, blue and white. Measurements shall be made at the center of the panel.
- Response time Tg is the average time required for display transition by switching the input signal as below table and is based on Frame rate fV =60Hz to optimize.  
Each time in below table is defined as Figure 3 and shall be measured by switching the input signal for "any level of gray(bright)" and "any level of gray(dark)". (See FIGURE 3 shown in Appendix).
- Cross-Talk of one area of the LCD surface by another shall be measured by comparing the luminance ( $Y_A$ ) of a 25mm diameter area, with all display pixels set to a gray level, to the luminance ( $Y_B$ ) of that same area when any adjacent area is driven dark. (See FIGURE 4 shown in Appendix).

## 5.0 INTERFACE CONNECTION.

### 5.1 Electrical Interface Connection

- CN11      Module Side Connector : UJU IS100-L30R-C23or Equivalent  
User Side Connector : JAE FI-X30H or Equivalent

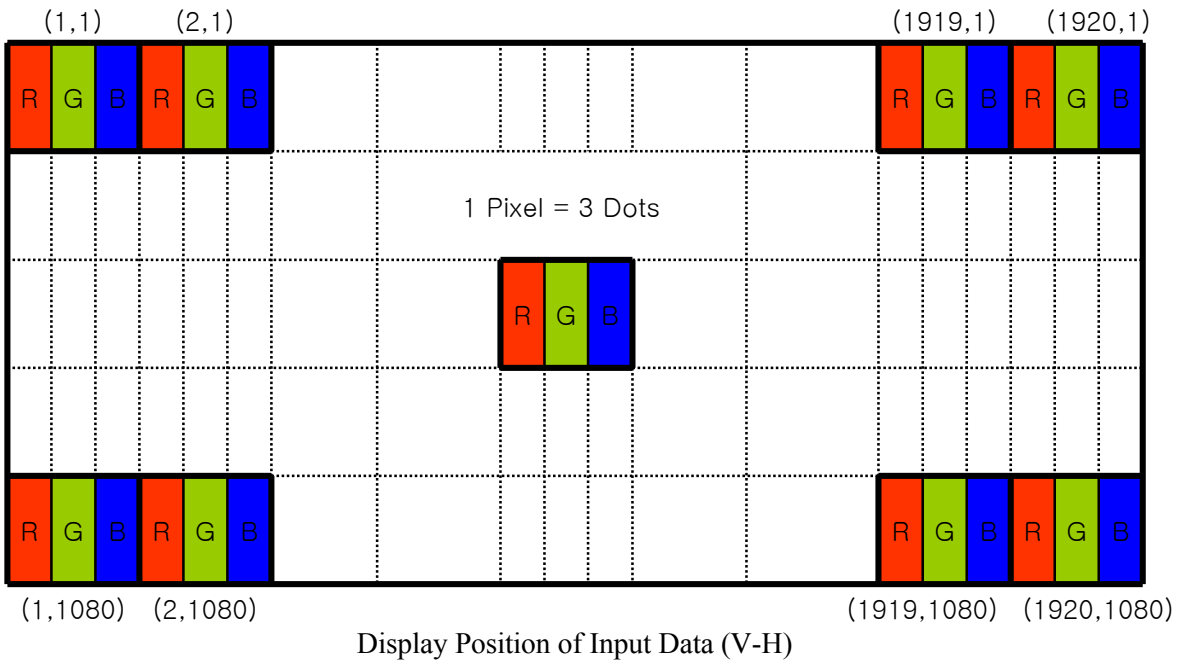
Pin No	Symbol	Function	Remark
1	RX00-	Negative Transmission data of Pixel 0 (ODD)	
2	RX00+	Positive Transmission data of Pixel 0 (ODD)	
3	RX01-	Negative Transmission data of Pixel 1 (ODD)	
4	RX01+	Positive Transmission data of Pixel 1 (ODD)	
5	RX02-	Negative Transmission data of Pixel 2 (ODD)	
6	RX02+	Positive Transmission data of Pixel 2 (ODD)	
7	GND	Power Ground	
8	RXOC-	Negative Transmission Clock (ODD)	
9	RXOC+	Positive Transmission Clock (ODD)	
10	RX03-	Negative Transmission data of Pixel 3 (ODD)	
11	RX03+	Positive Transmission data of Pixel 3 (ODD)	
12	RXE0-	Negative Transmission data of Pixel 0 (EVEN)	
13	RXE0+	Positive Transmission data of Pixel 0 (EVEN)	
14	GND	Power Ground	
15	RXE1-	Negative Transmission data of Pixel 1 (EVEN)	
16	RXE1+	Positive Transmission data of Pixel 1 (EVEN)	
17	GNG	Power Ground	
18	RXE2-	Negative Transmission data of Pixel 2 (EVEN)	
19	RXE2+	Positive Transmission data of Pixel 2 (EVEN)	
20	RXEC-	Negative Transmission Clock (EVEN)	
21	RXEC+	Positive Transmission Clock (EVEN)	
22	RXE3-	Negative Transmission data of Pixel 3 (EVEN)	
23	RXE3+	Positive Transmission data of Pixel 3 (EVEN)	
24	GND	Power Ground	Note 1
25	NC	No. Connection	
26	NC		
27	NC		
28	VDD	Power Supply: +5V	
29	VDD		
30	VDD		

Note 1 : This pin should be connected with GND.

### 5.2 LVDS Interface (Tx; THC63LVDF83A or Equivalent)

	Input Signal	Transmitter		Interface		HR236WU1-100 (C N11)	Remark
		Pin No.	Pin No.	System (Tx)	TFT-LCD (Rx)	Pin No.	
L V D S	OR0	51	48 47	OUT0- OUT0+	RX00- RX00+	1	
	OR1	52					
	OR2	54					
	OR3	55					
	OR4	56					
	OR5	3				2	
	OG0	4					
	OG1	6	46 45	OUT1- OUT1+	RX01- RX01+	3	
	OG2	7					
	OG3	11					
	OG4	12					
	OG5	14					
	OB0	15				4	
	OB1	19					
	OB2	20	42 41	OUT2- OUT2+	RX02- RX02+	5	
	OB3	22					
	OB4	23					
	OB5	24					
	Hsync	27					
	Vsync	28				6	
DE	30						
MCLK	31	40 39	CLK OUT- CLK OUT+	RXO CLK- RXO CLK+	8 9		
OR6	50	38 37	OUT3- OUT3+	RX03- RX03+	10		
OR7	2						
OG6	8						
OG7	10						
OB6	16						
OB7	18						
RSVD	25				11		

### 5.3 Data Input Format



## 6.0 SIGNAL TIMING SPECIFICATION

6.1 The HR236WU3-301 is operated by the DE only.

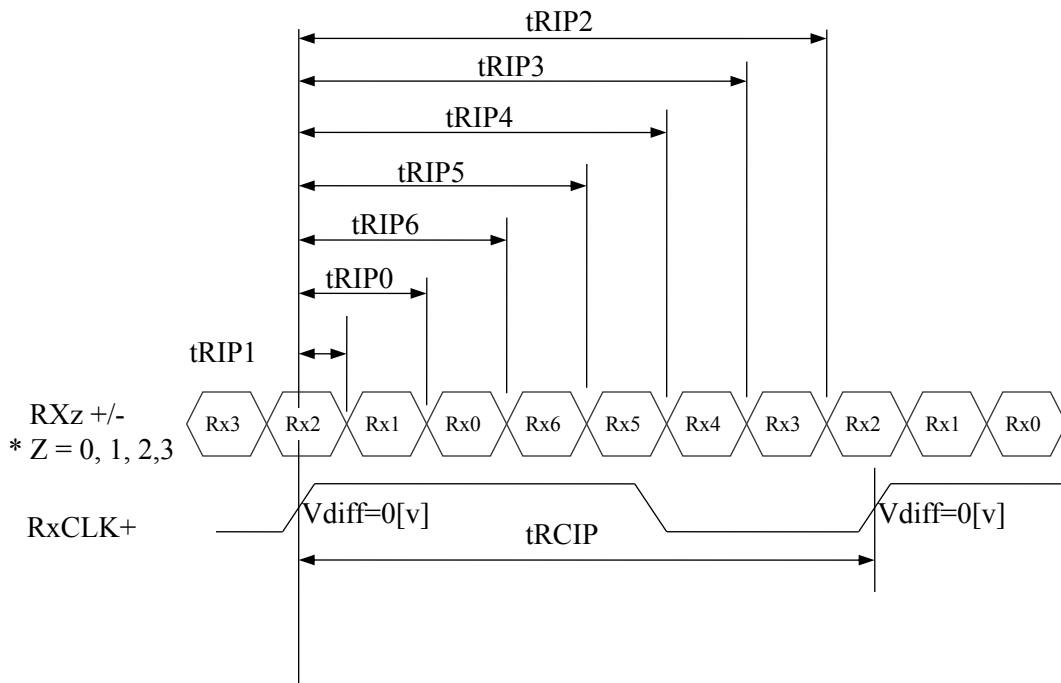
Item		Symbols	Min	Typ	Max	Unit
Clock	Frequency	1/Tc	58.54	74.25	98	MHz
	High Time	Tch	-	4/7Tc	-	
	Low Time	Tcl	-	4/7Tc	-	
Frame Period		Tv	1115	1126	1136	lines
			50	60	75	Hz
			20	16.7	13.3	ms
Vertical Display Period		Tvd	-	1080	-	lines
One line Scanning Period		Th	1050	1100	1150	clocks
Horizontal Display Period		Thd	960	960	960	clocks

## 6.2 LVDS Rx Interface Timing Parameter

The specification of the LVDS Rx interface timing parameter is shown in Table 4.

<Table 4. LVDS Rx Interface Timing Specification>

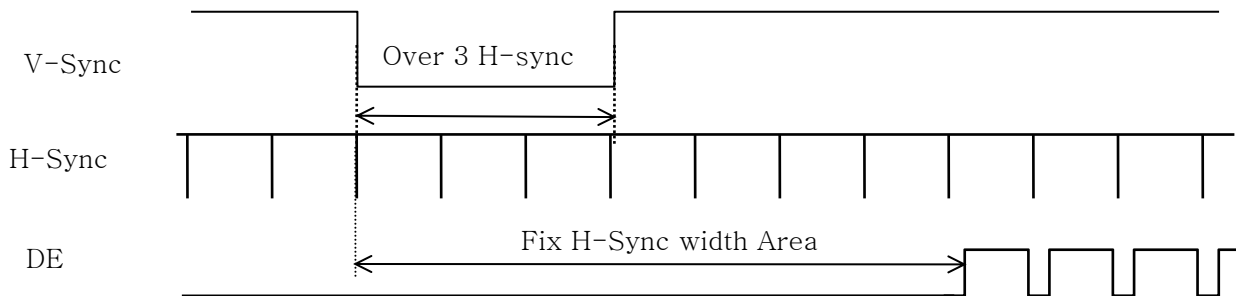
Item	Symbol	Min	Typ	Max	Unit	Remark
CLKIN Period	tRCIP	10.20	13.47	17.08	nsec	
Input Data 0	tRIP1	-0.4	0.0	+0.4	nsec	
Input Data 1	tRIP0	tRCIP/7-0.4	tRCIP/7	tRCIP/7+0.4	nsec	
Input Data 2	tRIP6	$2 \times tRCIP/7-0.4$	$2 \times tRCIP/7$	$2 \times tRCIP/7+0.4$	nsec	
Input Data 3	tRIP5	$3 \times tRCIP/7-0.4$	$3 \times tRCIP/7$	$3 \times tRCIP/7+0.4$	nsec	
Input Data 4	tRIP4	$4 \times tRCIP/7-0.4$	$4 \times tRCIP/7$	$4 \times tRCIP/7+0.4$	nsec	
Input Data 5	tRIP3	$5 \times tRCIP/7-0.4$	$5 \times tRCIP/7$	$5 \times tRCIP/7+0.4$	nsec	
Input Data 6	tRIP2	$6 \times tRCIP/7-0.4$	$6 \times tRCIP/7$	$6 \times tRCIP/7+0.4$	nsec	



\*  $V_{diff} = (RXz+) - (RXz-), \dots, (RXCLK+) - (RXCLK-)$

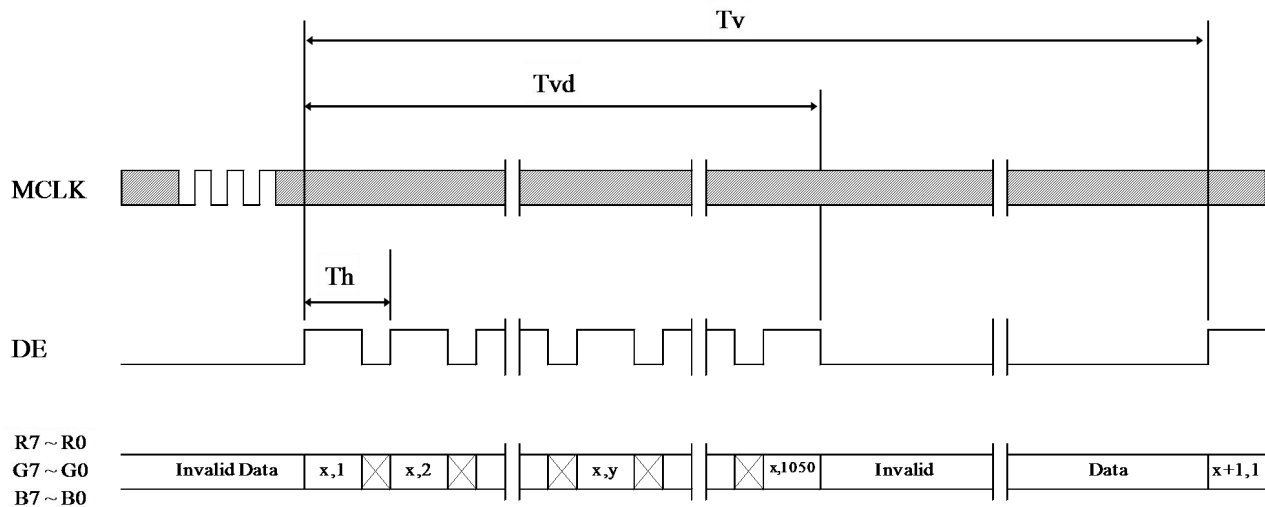
## 7.0 SIGNAL TIMING WAVEFORMS OF INTERFACE SIGNAL

### 7.1 Sync Timing Waveforms

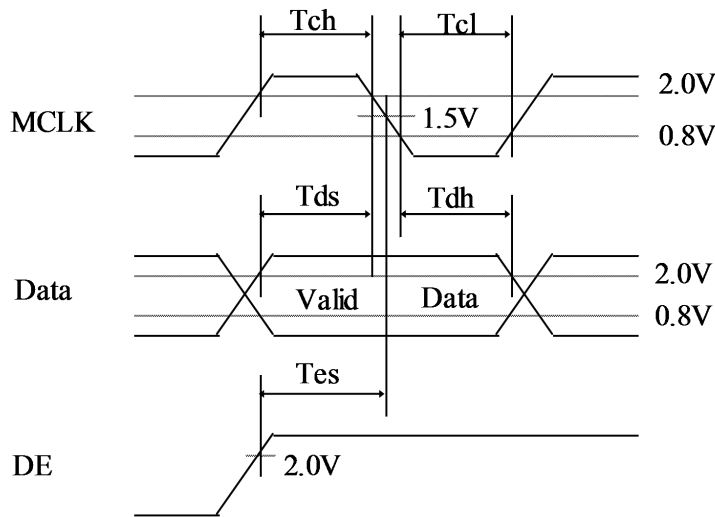
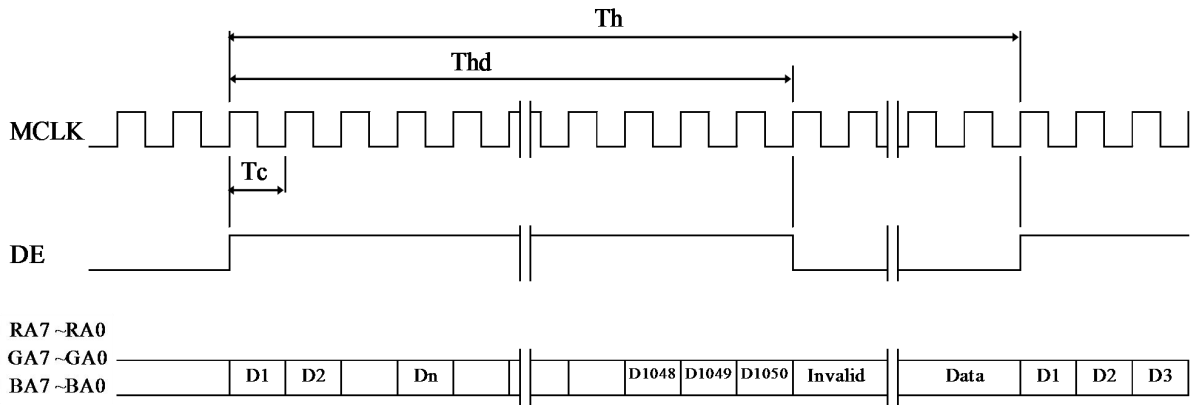


- 1) Need over 3 H-sync during V-Sync Low
- 2) Fix H-Sync width from V-Sync falling edge to first rising edge

### 7.2 Vertical Timing Waveforms



### 7.3 Horizontal Timing Waveforms





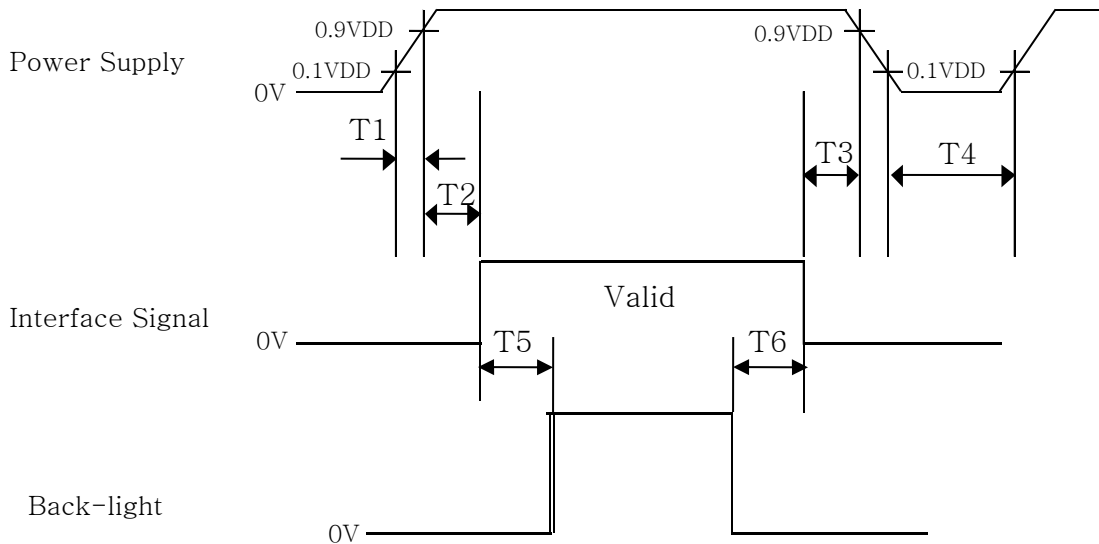


### 8.0 INPUT SIGNALS, BASIC DISPLAY COLORS & GRAY SCALE OF COLORS

Color & Gray Scale		RED DATA								GREEN DATA								BLUE DATA							
		R7	R6	R5	R4	R3	R2	R1	R0	G7	G6	G5	G4	G3	G2	G1	G0	B7	B6	B5	B4	B3	B2	B1	B0
Basic Colors	Black	0	0	0	0	0	0	0	0	0	0	0	0	0	0	0	0	0	0	0	0	0	0	0	0
	Blue	0	0	0	0	0	0	0	0	0	0	0	0	0	0	0	0	1	1	1	1	1	1	1	1
	Green	0	0	0	0	0	0	0	0	1	1	1	1	1	1	1	1	0	0	0	0	0	0	0	0
	Cyan	0	0	0	0	0	0	0	0	1	1	1	1	1	1	1	1	1	1	1	1	1	1	1	1
	Red	1	1	1	1	1	1	1	1	0	0	0	0	0	0	0	0	0	0	0	0	0	0	0	0
	Magenta	1	1	1	1	1	1	1	1	0	0	0	0	0	0	0	0	1	1	1	1	1	1	1	1
	Yellow	1	1	1	1	1	1	1	1	1	1	1	1	1	1	1	1	0	0	0	0	0	0	0	0
	White	1	1	1	1	1	1	1	1	1	1	1	1	1	1	1	1	1	1	1	1	1	1	1	1
Gray Scale of RED	Black	0	0	0	0	0	0	0	0	0	0	0	0	0	0	0	0	0	0	0	0	0	0	0	0
	△	0	0	0	0	0	0	0	1	0	0	0	0	0	0	0	0	0	0	0	0	0	0	0	0
	Darker	0	0	0	0	0	0	1	0	0	0	0	0	0	0	0	0	0	0	0	0	0	0	0	0
	△	↑								↑								↑							
	▽	↓								↓								↓							
	Brighter	1	1	1	1	1	1	0	1	0	0	0	0	0	0	0	0	0	0	0	0	0	0	0	0
	▽	1	1	1	1	1	1	1	0	0	0	0	0	0	0	0	0	0	0	0	0	0	0	0	0
	Red	1	1	1	1	1	1	1	1	0	0	0	0	0	0	0	0	0	0	0	0	0	0	0	0
Gray Scale of GREEN	Black	0	0	0	0	0	0	0	0	0	0	0	0	0	0	0	0	0	0	0	0	0	0	0	0
	△	0	0	0	0	0	0	0	0	0	0	0	0	0	0	0	1	0	0	0	0	0	0	0	0
	Darker	0	0	0	0	0	0	0	0	0	0	0	0	0	0	1	0	0	0	0	0	0	0	0	0
	△	↑								↑								↑							
	▽	↓								↓								↓							
	Brighter	0	0	0	0	0	0	0	0	1	1	1	1	1	1	0	1	0	0	0	0	0	0	0	0
	▽	0	0	0	0	0	0	0	0	1	1	1	1	1	1	1	0	0	0	0	0	0	0	0	0
	Green	0	0	0	0	0	0	0	0	1	1	1	1	1	1	1	1	0	0	0	0	0	0	0	0
Gray Scale of BLUE	Black	0	0	0	0	0	0	0	0	0	0	0	0	0	0	0	0	0	0	0	0	0	0	0	0
	△	0	0	0	0	0	0	0	0	0	0	0	0	0	0	0	0	0	0	0	0	0	0	0	1
	Darker	0	0	0	0	0	0	0	0	0	0	0	0	0	0	0	0	0	0	0	0	0	0	0	1
	△	↑								↑								↑							
	▽	↓								↓								↓							
	Brighter	0	0	0	0	0	0	0	0	0	0	0	0	0	0	0	0	1	1	1	1	1	1	0	1
	▽	0	0	0	0	0	0	0	0	0	0	0	0	0	0	0	0	1	1	1	1	1	1	1	0
	Blue	0	0	0	0	0	0	0	0	0	0	0	0	0	0	0	0	1	1	1	1	1	1	1	1
Gray Scale of WHITE	Black	0	0	0	0	0	0	0	0	0	0	0	0	0	0	0	0	0	0	0	0	0	0	0	0
	△	0	0	0	0	0	0	0	1	0	0	0	0	0	0	0	1	0	0	0	0	0	0	0	1
	Darker	0	0	0	0	0	0	1	0	0	0	0	0	0	0	1	0	0	0	0	0	0	0	0	1
	△	↑								↑								↑							
	▽	↓								↓								↓							
	Brighter	1	1	1	1	1	1	0	1	1	1	1	1	1	1	0	1	1	1	1	1	1	1	0	1
	▽	1	1	1	1	1	1	1	0	1	1	1	1	1	1	1	0	1	1	1	1	1	1	1	0
	White	1	1	1	1	1	1	1	1	1	1	1	1	1	1	1	1	1	1	1	1	1	1	1	1

## 9.0 POWER SEQUENCE

To prevent a latch-up or DC operation of the LCD module, the power on/off sequence shall be as shown in below



- $0.5 \text{ ms} \leq T1 \leq 10 \text{ ms}$
- $0 \leq T2 \leq 50 \text{ ms}$
- $0 \leq T3 \leq 50 \text{ ms}$
- $1 \text{ sec} \leq T4$
- $200 \text{ ms} \leq T5$
- $200 \text{ ms} \leq T6$

### Notes:

1. When the power supply VDD is 0V, keep the level of input signals on the low or keep high impedance.
2. Do not keep the interface signal high impedance when power is on.
3. Back Light must be turn on after power for logic and interface signal are valid.

## 10.0 MECHANICAL CHARACTERISTICS

### 10.1 Dimensional Requirements

FIGURE 6 (located in Appendix) shows mechanical outlines for the Open Cell HR236WU3-301. Other parameters are shown in Table 5.

<Table 5. Dimensional Parameters>

Parameter	Specification	Unit
Dimensional outline	535.9(H) × 307 (V) × 1.43(D) typ.	mm
Weight	510(Typ.)	gram
Active area	521.28 (H) × 293.22 (V)	mm
Pixel pitch	0.2715 (H) × 0.2715 (V)	mm
Number of pixels	1920 (H) × 1080 (V) (1 pixel = R + G + B dots)	pixels

### 10.2 Mounting

No Mounting

### 10.3 Anti-Glare and Polarizer Hardness.

The surface of the LCD has an anti-glare coating to minimize reflection and a coating to reduce scratching.

## 11.0 RELIABILITY TEST

The Reliability test items and its conditions are shown in below.

<Table 6. Reliability Test Parameters >

No	Test Items	Conditions
1	High temperature storage test	Ta = 60 °C, 240 hrs
2	Low temperature storage test	Ta = -20 °C, 240 hrs
3	High temperature & high humidity operation test	Ta = 50 °C, 80%RH, 240hrs
4	High temperature operation test	Ta = 50 °C, 240hrs
5	Low temperature operation test	Ta = 0°C, 240hrs
6	Thermal shock	Ta = -20 °C ↔ 60 °C (0.5 hr), 100 cycle



PRODUCT GROUP	REV.	ISSUE DATE
TFT- LCD PRODUCT	Rev.P0	Mar.12. 14'

## 12.0 HANDLING & CAUTIONS

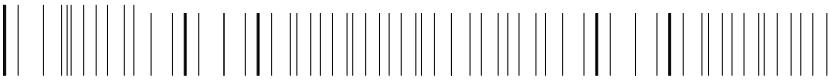
- (1) Cautions when taking out the module
  - Pick the pouch only, when taking out module from a shipping package.
- (2) Cautions for handling the module
  - As the electrostatic discharges may break the LCD module, handle the LCD module with care. Peel a protection sheet off from the LCD panel surface as slowly as possible.
  - As the LCD panel and back - light element are made from fragile glass material, impulse and pressure to the LCD module should be avoided.
  - As the surface of the polarizer is very soft and easily scratched, use a soft dry cloth without chemicals for cleaning.
  - Do not pull the interface connector in or out while the LCD module is operating.
  - Put the module display side down on a flat horizontal plane.
  - Handle connectors and cables with care.
- (3) Cautions for the operation
  - When the module is operating, do not lose CLK, ENAB signals. If any one of these signals is lost, the LCD panel would be damaged.
  - Obey the supply voltage sequence. If wrong sequence is applied, the module would be damaged.
- (4) Cautions for the atmosphere
  - Dew drop atmosphere should be avoided.
  - Do not store and/or operate the LCD module in a high temperature and/or humidity atmosphere. Storage in an electro-conductive polymer packing pouch and under relatively low temperature atmosphere is recommended.
- (5) Cautions for the module characteristics
  - Do not apply fixed pattern data signal to the LCD module at product aging.
  - Applying fixed pattern for a long time may cause image sticking.
- (6) Other cautions
  - Do not disassemble and/or re-assemble LCD module.
  - Do not re-adjust variable resistor or switch etc.
  - When returning the module for repair or etc., Please pack the module not to be broken. We recommend to use the original shipping packages.



PRODUCT GROUP	REV	ISSUE DATE
TFT- LCD PRODUCT	Rev.P0	Mar.12. 14'

### 13.0 PRODUCT SERIAL NUMBER

HR236WU3-301



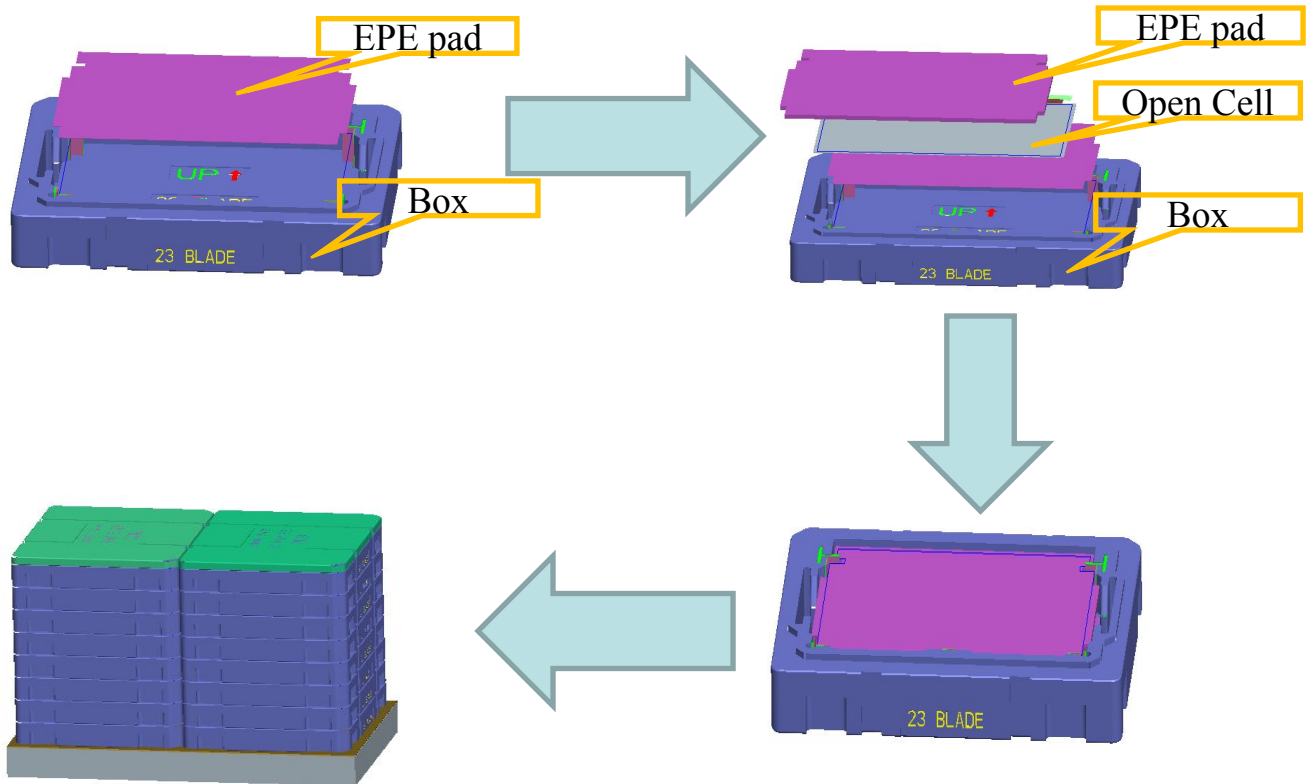
XXXXXXXXXXXXXXXXXXXX



- |   |   |
|---|---|
| <ul style="list-style-type: none"> <li>1. Control Number</li> <li>2. Rank / Grade</li> <li>3. Line Classification</li> <li>4. Year (2001 : 01, 2002 : 02, ...)</li> </ul> | <ul style="list-style-type: none"> <li>5. Month (1,2,3, ... , 9, X, Y, Z)</li> <li>6. Internal Use</li> <li>7. Serial Number</li> </ul> |
|---|---|

## 14.0 Packing

### 14.1 Packing Order



- . Put open cell into pet tray.
- . Put PET Trays into inner box, 17pcs open cell per box.
- . 8 Layers of boxes per pallet, 2 boxes per layer
- . 272pcs open cell per pallet



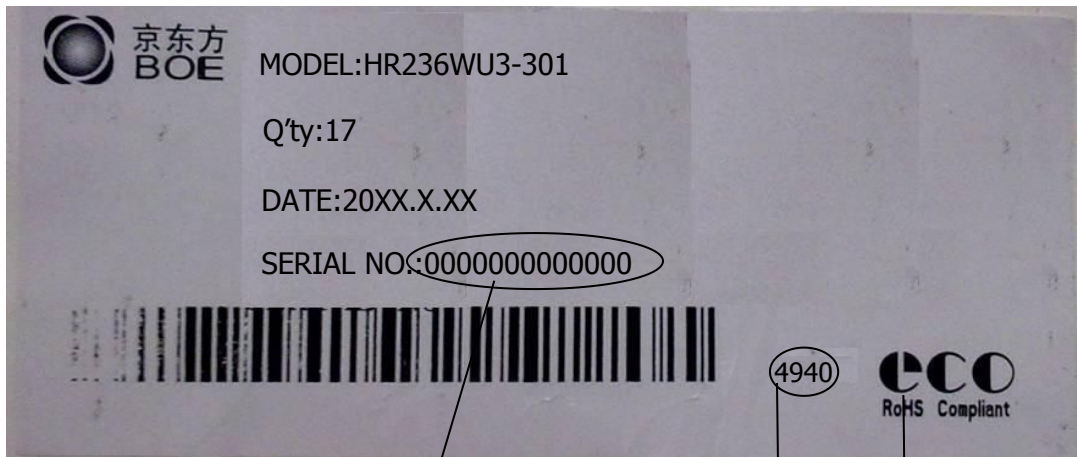
PRODUCT GROUP	REV	ISSUE DATE
TFT- LCD PRODUCT	Rev.P0	Mar.12. 14'

**14.2 Packing Note**

- Box Dimension : 505mm(W) × 695mm(L) × 135mm(H)
- Package Quantity in one Box : 17 pcs

**14.3 Box label**

- Label Size : 70 mm (L) × 30mm (W)
- Contents  
 Model : HR236WU3-301  
 Q`ty : 17 Open Cell in one box  
 Serial No. : Box Serial No. See next page for detail description.  
 Date : Packing Date



00	0	00	0	0	000000
Type	Grade	Year	Month	ITEM-CODE	Serial_no

4940  
Internal US  
E

RoHS Compliant  
RoHS Mark

SPEC. NUMBER S8-65-8A-087	SPEC. TITLE HR236WU1-301 Preliminary Product Specification . P0	PAGE 24 OF 30
------------------------------	--	------------------



### 15.0 APPENDIX

Figure 1. Measurement Set Up

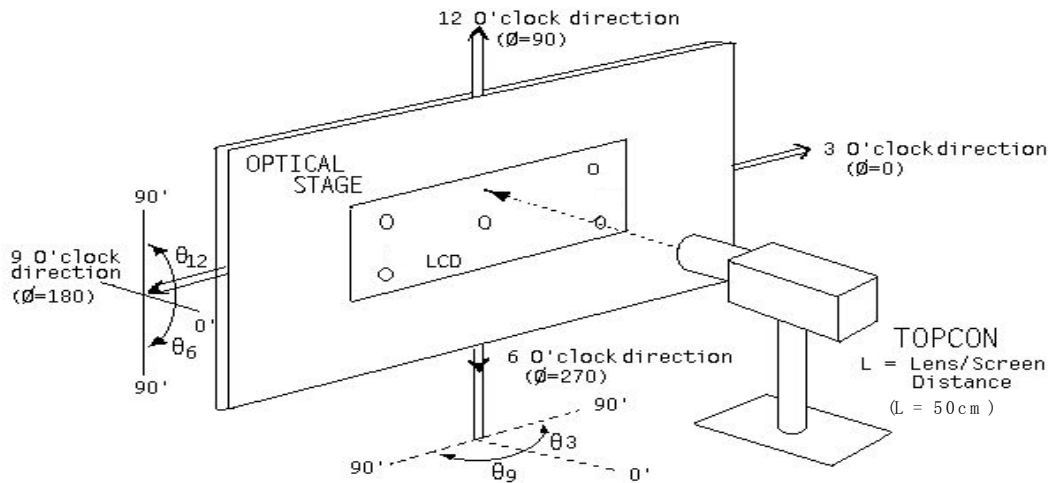
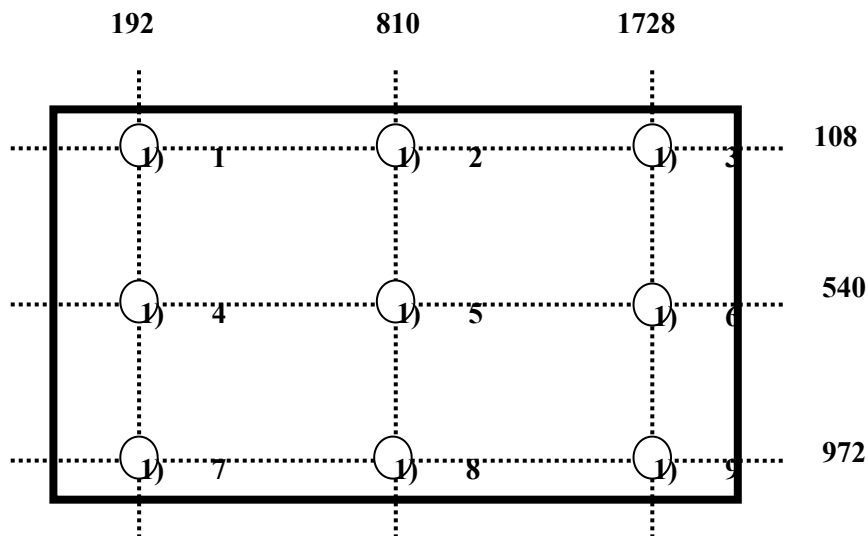
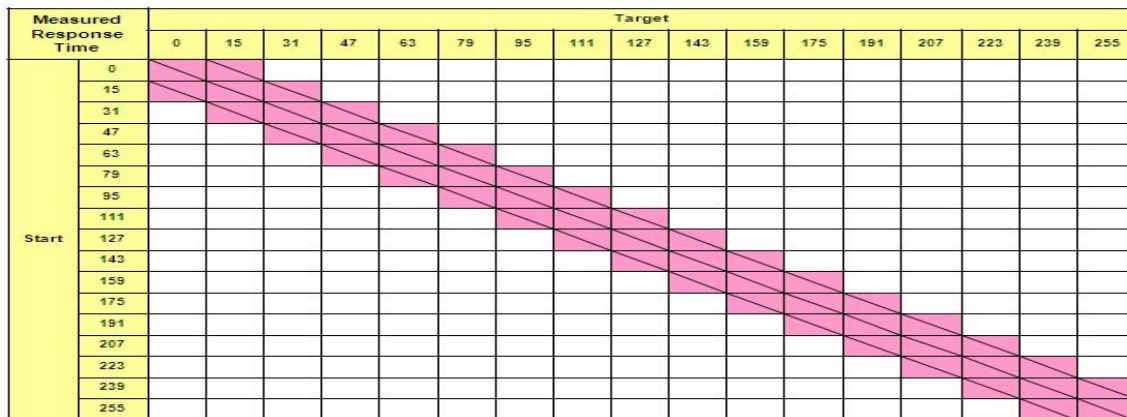


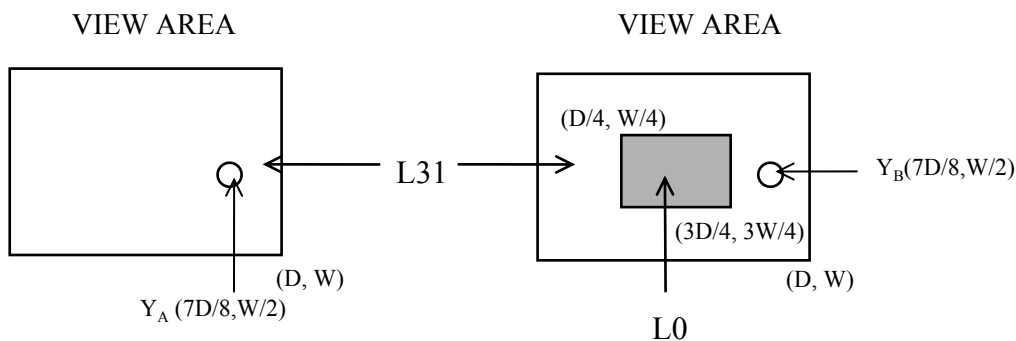
Figure 2. White Luminance and Uniformity Measurement Locations (9 points)



**Figure 3. Response Time Testing**



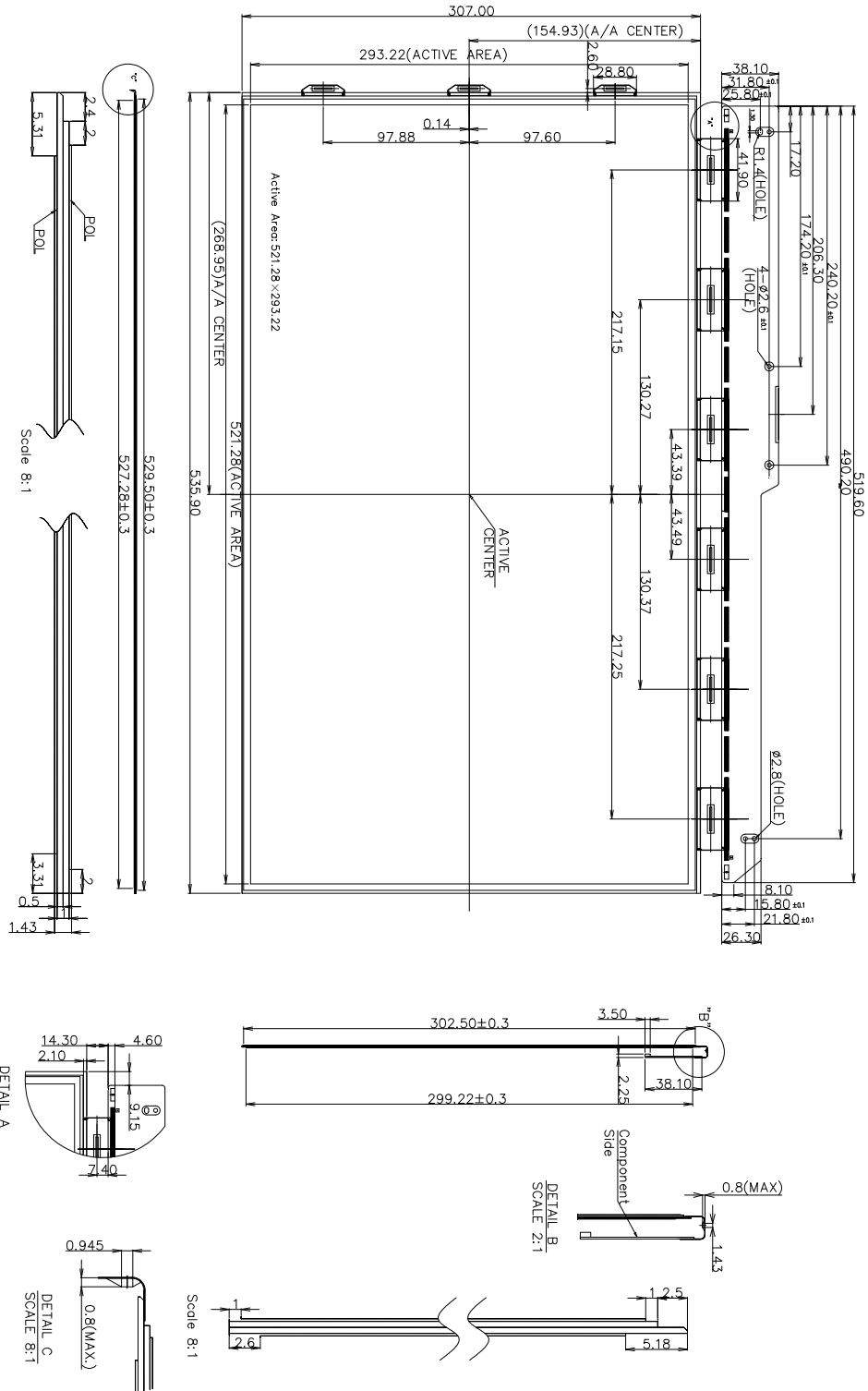
**Figure 4. Cross Modulation Test Description**



$$\text{Cross-Talk (\%)} = \left| \frac{Y_B - Y_A}{Y_A} \right| \times 100$$

Where:  $Y_A$  = Initial luminance of measured area (cd/m<sup>2</sup>)  
 $Y_B$  = Subsequent luminance of measured area (cd/m<sup>2</sup>)  
 The location measured will be exactly the same in both patterns

Figure 5. TFT-LCD Open Cell Outline Dimensions



NOTE:  
1. CONNECTOR: UJU IS100-L30R-C23 or Equivalent